

# MT 122

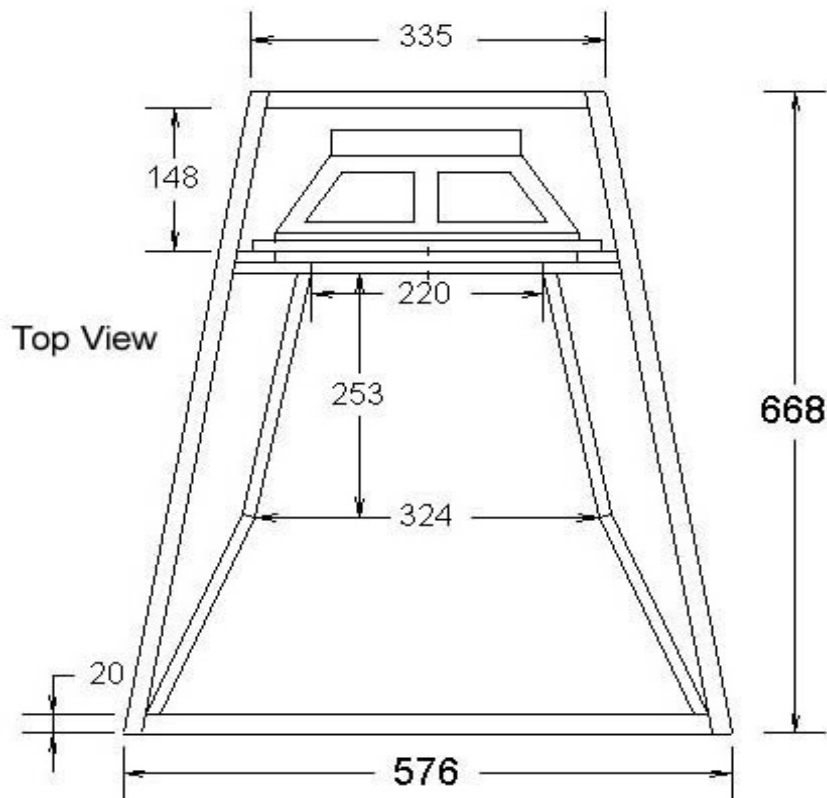
2 x 12" + 1 x 2"

Dispersion 25° v  
40° h

For 2 x P Audio SN 12B Neo  
or 2 x P Audio C12 300MB

And 1 x P Audio SD 750N Neo  
or 1 x P Audio BMD 750

And 1 x P Audio PH 2723 Horn



### Side View

